



S53 Type Solenoid Operated Fluid Control Valve

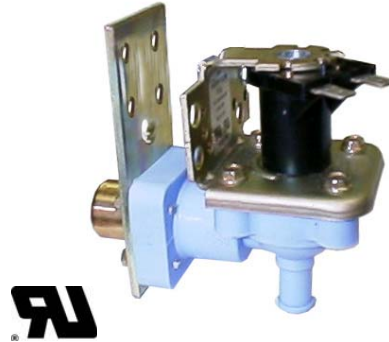
Normally closed solenoid operated valve with the following approvals

UL Recognized

- UL YIOZ2
- File #MH9636 (US)
- File #MH9636N (Canada)

Available configurations:

- Inlet: (with brass fitting):
3/8" - 18 NPTF
(Can be adapted with a variety of fittings)
- Outlet: Hose barb for 3/8" I.D. hose



Description

Horton's S53 type single solenoid valve combines versatility, reliability and affordability in a design that fits well in many applications.

Available in several different voltages, the coil on this multi-purpose inlet water valve provides excellent dielectric properties, supporting an electromagnetic field while dissipating minimal energy in the form of heat.

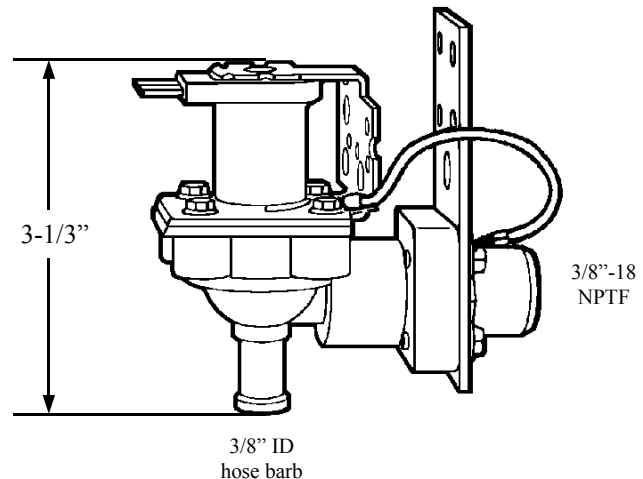
The S53 is a pilot-operated valve. This method of operation is based on using the inlet pressure's servo effect to produce the necessary force to open the main orifice. The valve has 'bleed' orifices and one pilot orifice. When the coil is energized, the armature opens the pilot chamber and allows the line pressure to open the main orifice.

Correct operation depends on the inlet pressure being greater than the outlet pressure. The valve is designed to operate under pressures from 5-120 psi, and will yield flow rates from .15 to 4 gpm.

The polypropylene body is designed to withstand a variety of adverse water conditions, in addition to fluid temperatures up to 140 degrees. Each valve is equipped with a screen to protect against debris.

Applications

The S53 type valve is extremely flexible in its applicability. In addition to plumbing and heating equipment, this valve model is used in domestic dishwashers and icemakers, as well as commercial vending, dispensing and ice machines.



Body: PP702 Polypropylene

Flow Rates: From .15—4 GPM

Coil Voltages: 12V AC, 24V AC/DC, 120V AC, 240V AC

Coil Insulation: Class F

Mounting: Variety of mounting brackets available