

1. Model Name : WV-11S-63

2. Flow Characteristic:



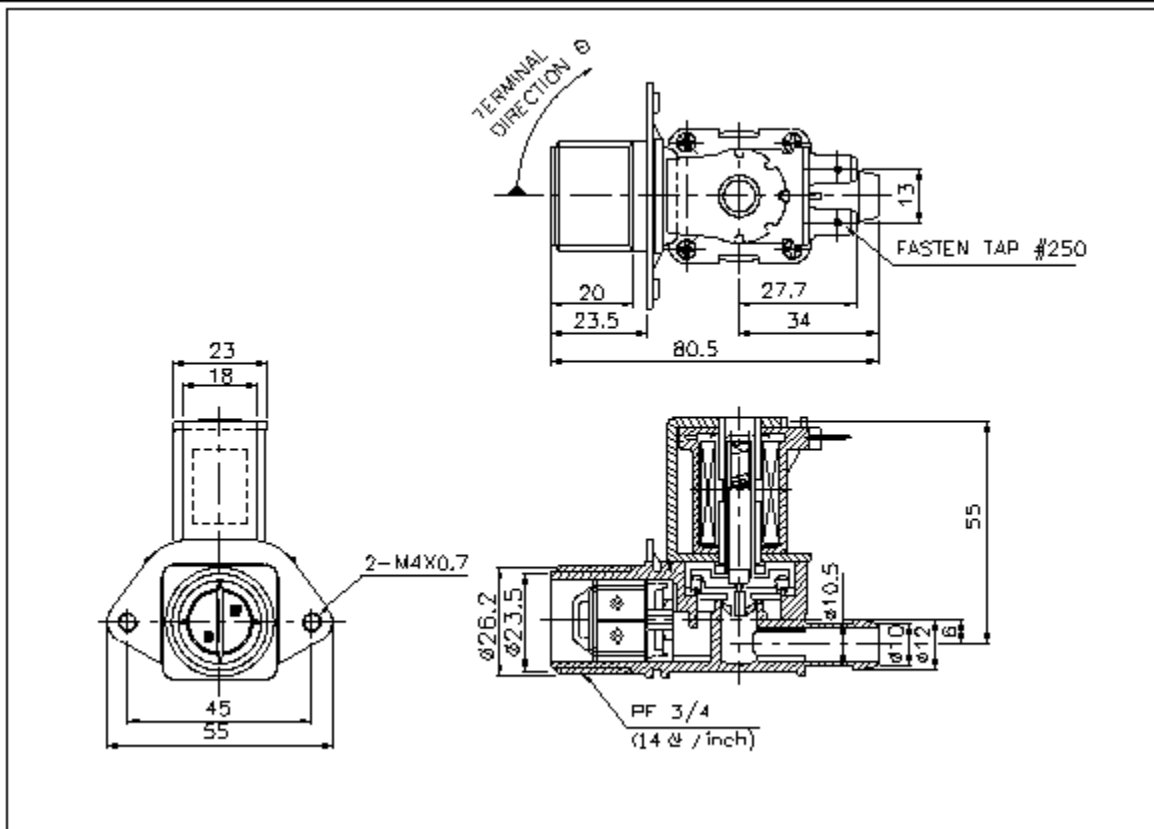
-picture may differ from actual product
-look at the drawing and the specifications for more details.

| Water Pressure(kgf/§²) | Flow Rate(§³/min) |
|------------------------|-------------------|
| 0.2 | 3~25 |
| 1 | 6~25 |
| 3 | 8~25 |
| 5 | 8~25 |
| 8 | 8~25 |
| 10 | - |

3. Specification :

| Usable Fluid | Usable Fluid Temp. | Allowed Ambient Temp. | Breakdown Hydrostatic Pressure | Mounting Position | Operating Mode | Endurance(Cycle) |
|--------------|--|-----------------------|--------------------------------|-------------------|----------------|------------------|
| WATER | 1~80jÉ (in case of using water with temp 70~80jÉ, use only under 2Kg/§² of water pressure) | less than 40jÉ | 20Kg/§² | - | PILOT | 50,000 |

4. Drawing :



1. Model Name : WV-11S-65

2. Flow Characteristic:



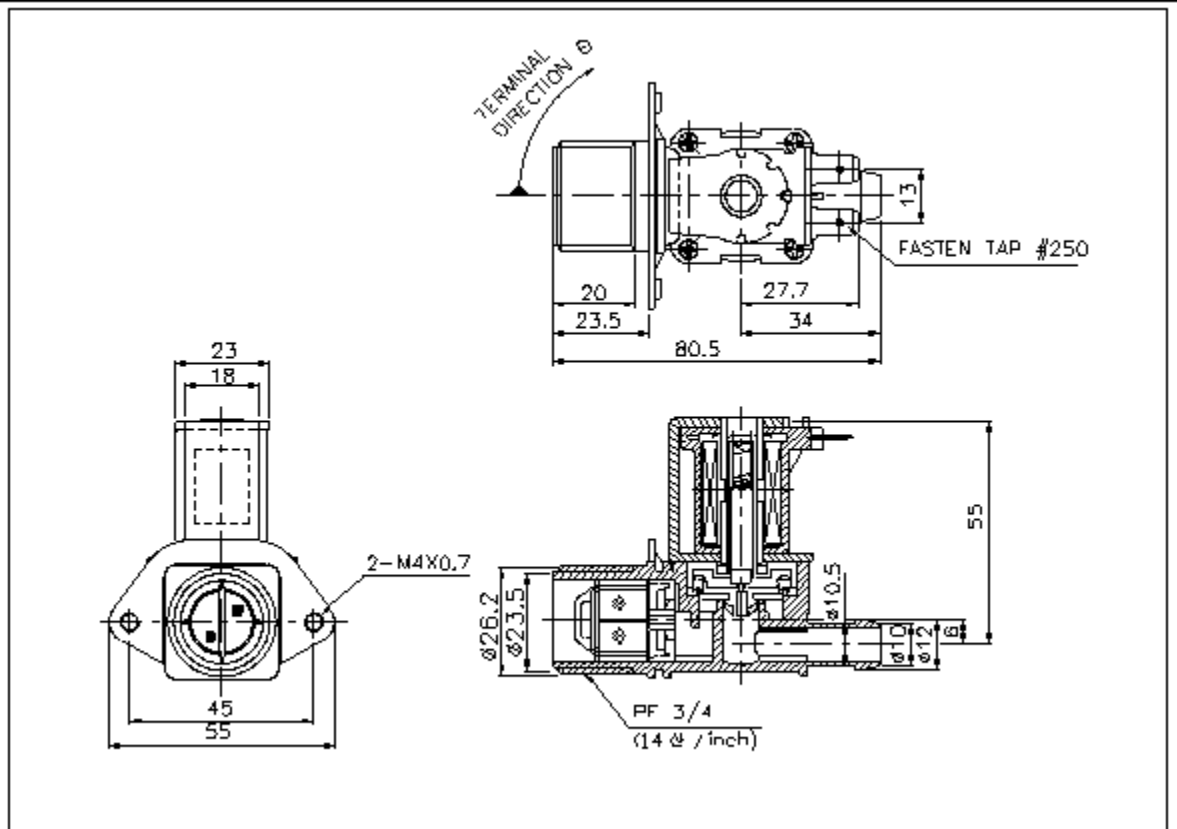
-picture may differ from actual product
-look at the drawing and the specifications for more details.

| Water Pressure(kgf/§²) | Flow Rate(§³/min) |
|------------------------|-------------------|
| 0.2 | 3~25 |
| 1 | 6~25 |
| 3 | 8~25 |
| 5 | 8~25 |
| 8 | 8~25 |
| 10 | - |

3. Specification :

| Usable Fluid | Usable Fluid Temp. | Allowed Ambient Temp. | Breakdown Hydrostatic Pressure | Mounting Position | Operating Mode | Endurance(Cycle) |
|--------------|--|-----------------------|--------------------------------|-------------------|----------------|------------------|
| WATER | 1~80jÉ (in case of using water with temp 70~80jÉ, use only under 2Kg/§² of water pressure) | less than 40jÉ | 20Kg/§² | - | PILOT | 50,000 |

4. Drawing :



1. Model Name : WV-11S-66

2. Flow Characteristic:



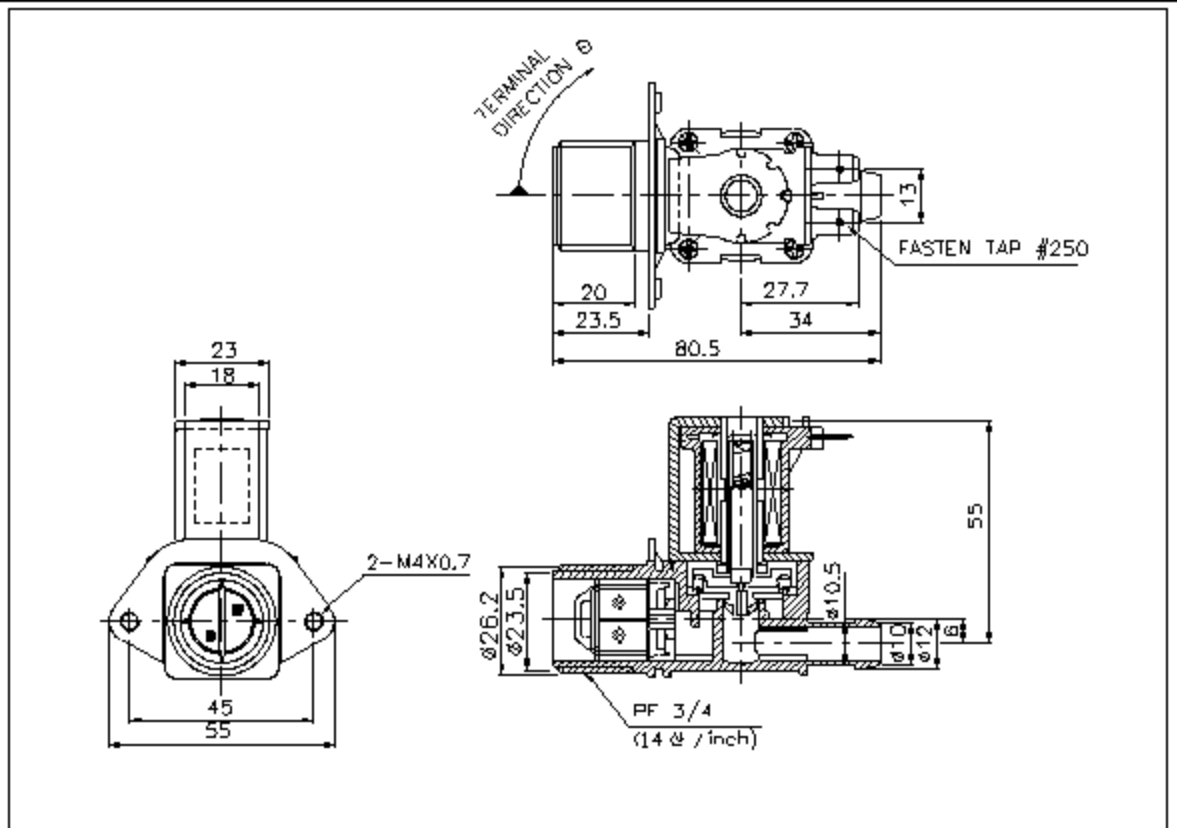
| Water Pressure(kgf/§²) | Flow Rate(§³/min) |
|------------------------|-------------------|
| 0.2 | 3~25 |
| 1 | 6~25 |
| 3 | 8~25 |
| 5 | 8~25 |
| 8 | 8~25 |
| 10 | - |

-picture may differ from actual product
 -look at the drawing and the specifications for more details.

3. Specification :

| Usable Fluid | Usable Fluid Temp. | Allowed Ambient Temp. | Breakdown Hydrostatic Pressure | Mounting Position | Operating Mode | Endurance(Cycle) |
|--------------|--|-----------------------|--------------------------------|-------------------|----------------|------------------|
| WATER | 1~80jÉ (in case of using water with temp 70~80jÉ, use only under 2Kg/§² of water pressure) | less than 40jÉ | 20Kg/§² | - | PILOT | 50,000 |

4. Drawing :



1. Model Name : WV-11S-14

2. Flow Characteristic:



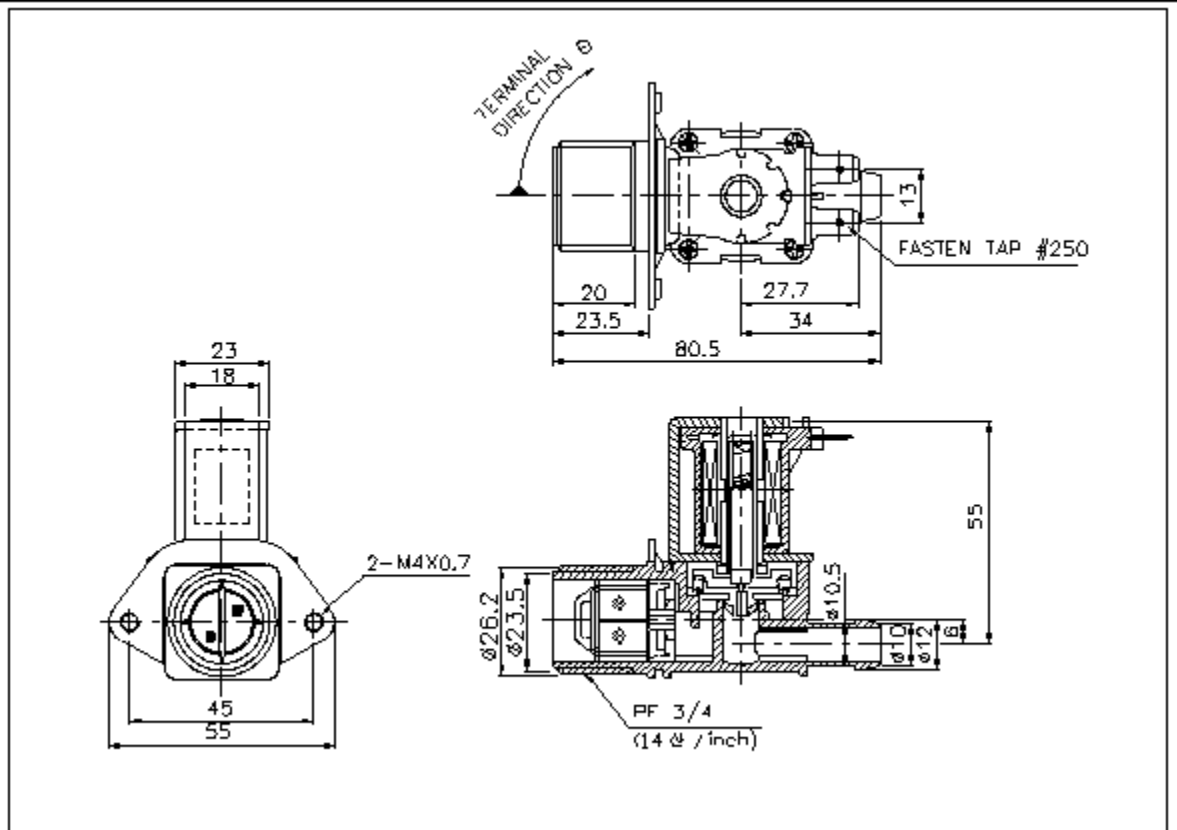
-picture may differ from actual product
-look at the drawing and the specifications for more details.

| Water Pressure(kgf/§²) | Flow Rate(§³/min) |
|------------------------|-------------------|
| 0.2 | 3~8 |
| 1 | 8~14 |
| 3 | 8~14 |
| 5 | 10~14 |
| 8 | 10~14 |
| 10 | - |

3. Specification :

| Usable Fluid | Usable Fluid Temp. | Allowed Ambient Temp. | Breakdown Hydrostatic Pressure | Mounting Position | Operating Mode | Endurance(Cycle) |
|--------------|--|-----------------------|--------------------------------|-------------------|----------------|------------------|
| WATER | 1~80iÉ (in case of using water with temp 70~80iÉ, use only under 2Kg/§² of water pressure) | less than 40iÉ | 20Kg/§² | - | PILOT | 50,000 |

4. Drawing :



1. Model Name : WV-SE-17

2. Flow Characteristic:



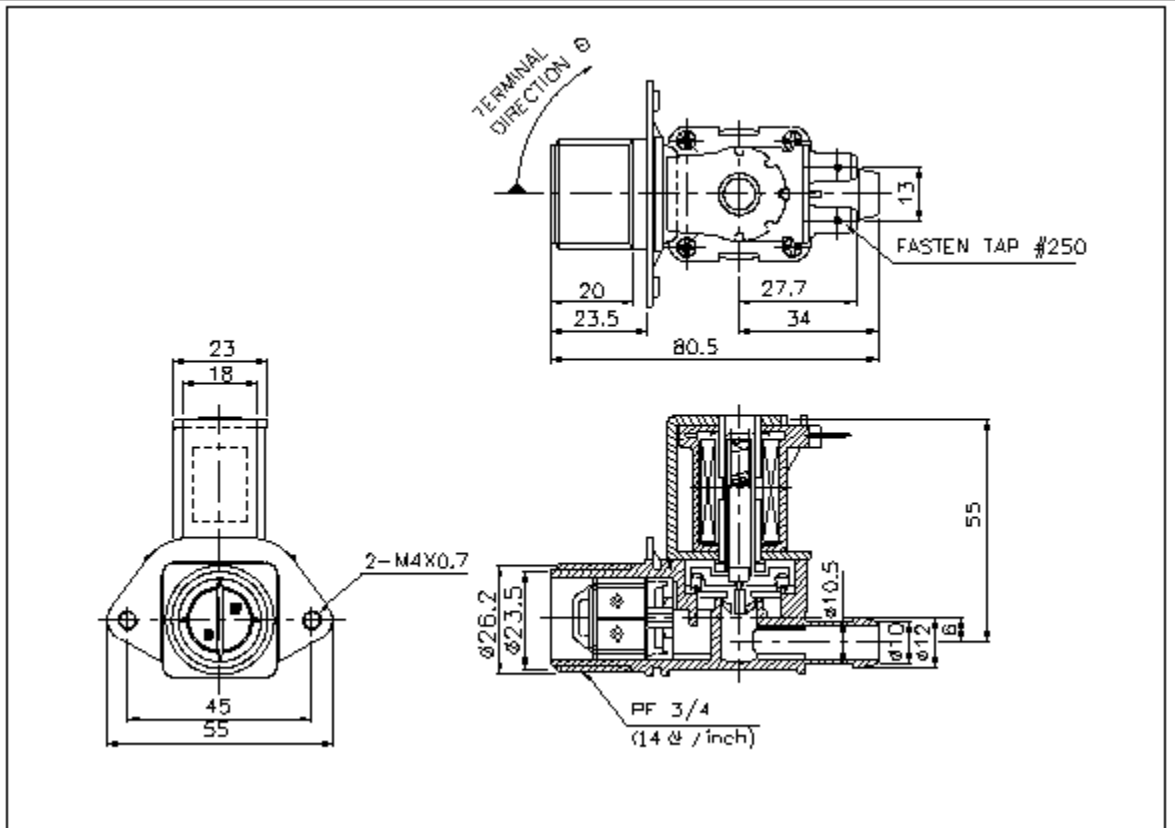
| Water Pressure(kgf/§²) | Flow Rate(§³/min) |
|------------------------|-------------------|
| 0.2 | 3~15 |
| 1 | 10~25 |
| 3 | 15~25 |
| 5 | 17~25 |
| 8 | 17~25 |
| 10 | - |

-picture may differ from actual product
 -look at the drawing and the specifications for more details.

3. Specification :

| Usable Fluid | Usable Fluid Temp. | Allowed Ambient Temp. | Breakdown Hydrostatic Pressure | Mounting Position | Operating Mode | Endurance(Cycle) |
|--------------|--|-----------------------|--------------------------------|-------------------|----------------|------------------|
| WATER | 1~80iÉ (in case of using water with temp 70~80iÉ, use only under 2Kg/§² of water pressure) | less than 40iÉ | 20Kg/§² | - | PILOT | 50,000 |

4. Drawing :



1. Model Name : WV-11S-62

2. Flow Characteristic:



-picture may differ from actual product
-look at the drawing and the specifications for more details.

| Water Pressure(kgf/§²) | Flow Rate(§³/min) |
|------------------------|-------------------|
| 0.2 | 3~25 |
| 1 | 6~25 |
| 3 | 8~25 |
| 5 | 8~25 |
| 8 | 8~25 |
| 10 | - |

3. Specification :

| Usable Fluid | Usable Fluid Temp. | Allowed Ambient Temp. | Breakdown Hydrostatic Pressure | Mounting Position | Operating Mode | Endurance(Cycle) |
|--------------|--|-----------------------|--------------------------------|-------------------|----------------|------------------|
| WATER | 1~80jÉ (in case of using water with temp 70~80jÉ, use only under 2Kg/§² of water pressure) | less than 40jÉ | 20Kg/§² | - | PILOT | 50,000 |

4. Drawing :

